

Since the usage and finishing of the product is not under our control, we accept no liability for the success of the work and can therefore only guarantee the nature of our products as per the accompanying product data sheets and in accordance with our general terms and conditions of sale. The properties listed here represent no guarantee with respect to the eventual use of our products. We reserve the right to make changes due to technical advances. Any other technical information given in the course of a consultation must be confirmed in writing. Colours shown here are restricted by the printing techniques and may differ from those exhibited by the products themselves. We also reserve the right to make alterations to the product technology or design. Only the current version of this data sheet is valid. Such versions are accessible by anyone via the internet. The issue of the latest data sheet invalidates all those that have been published beforehand.

CONSTRUCT *Metal*

1/2

One-piece skirtings, made of aluminium or stainless steel

- Information Sheet -

DURAL



APPLICATION:

CONSTRUCT metal skirting profiles are available in stainless steel (V2A) and aluminum and they fit for a modern wall finish of laminate, parquet, carpet, PVC or ceramic tiles.

PROCESSING:

As per their purpose CONSTRUCT metal skirtings are glued with a polymer adhesive in a cartridge on solid, dry, straight and aligned plaster, on concrete, bricking or other substrates.

In case of absorbent substrates skirtings should be fixed with appropriate acrylate glues in order to guarantee a high initial adhesion.

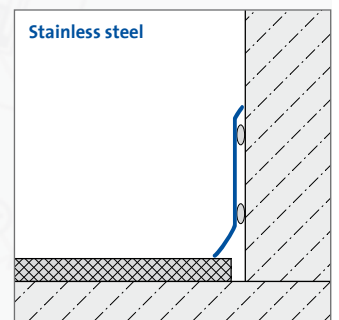
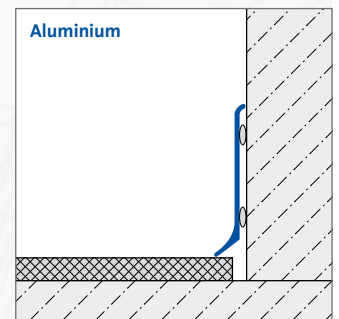
Skirtings will be fixed on non-absorbent substrates by using appropriate hybrid adhesives (= MS polymer in cartridges).

The rear side of the skirting has to be shortly degreased with a neutral cleaner before fixing in order to obtain a sufficiently good adhesion to the metal. After this step, the adhesive is applied in a continuous strip form with a width of about 1 cm in the upper and lower part of the skirting's edges, then aligned on the wall surface and firmly pressed.

Even a fixing of the skirting with punctual adhesive dots (approx. diam. of 35 mm) which are applied in distances of about 30 cm (= 9 adhesive dots on one profile length), is alternatively possible.

INTERNAL AND EXTERNAL CORNERS:

For anodized aluminum and powder-coated skirtings appropriate internal and external corners are available in different colours. Skirtings made of stainless steel (V2A) are carefully cut to miter with a suitable cutting tool for stainless steel on site and they will then thoroughly be deburred. The mitered skirtings are to be pressed very tight together, so that no significant visible corner joint will be seen.



DURAL GmbH

Südring 11

D-56412 Ruppach-Goldhausen

Tel. +49 (0) 2602/9261-0

Fax +49 (0) 2602/9261-50

info@dural.com

One-piece skirtings, made of aluminium or stainless steel

- Information Sheet -

ENDS OF THE SKIRTING:

Due to the small distance of only approx. 3 mm between skirting and wall no additional end corners are required. It would be an advantage to seal the end of the skirting with a neutral polymerised silicone rubber and to adapt the colour to the environment.

CLEANING AND CARE:

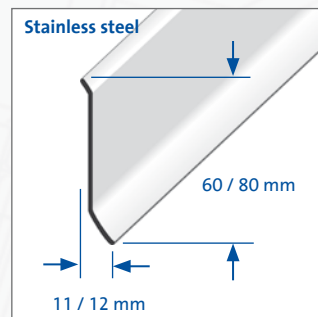
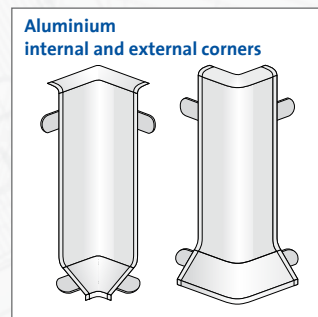
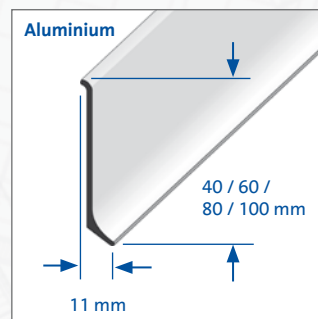
For routine cleaning universal cleaners are suitable because they clean, maintain and protect the metal surface in one single operation. Grease residues caused by mounting can be removed with a neutral detergent. For intensive grease or oil spills alkaline cleaners should be used.

IMPORTANT GENERAL INFORMATION:

Stainless steel: Unsuitable cleaning agents or improper mechanical treatment (eg. cutting with non alloy saw blades) may damage the protective passive layer of stainless steel. Cutting operations should only be executed with saw blades or separating blades which are suitable for stainless steel. Any contact with non alloy steel, eg. as during storage and transport, has to be avoided. Additional information related to stainless steel are stated in the general data for stainless steel, issued by the German institution ISER.

Aluminium: Aluminium skirtings made of anodized aluminium are specially refined, so that the surface regularly does not change. Damages can also arise through scratching or abrasive subjects.

This applies to all products: The suitability with respect to mechanical and chemical load has to be examined carefully and individually. In common, the generally accepted technical rules must be followed!



PRODUCT DATA:

MATERIAL:	Stainless steel (V2A) Anodized aluminium Powder-coated aluminium
COLOUR:	Stainless steel (V2A): high gloss Anodized aluminium: silver, silver brushed, gold, champagne, titan Powder-coated aluminium: RAL 9016
LENGTH:	250 cm
HEIGHT:	Stainless steel: 60 / 80 mm Aluminium: 40 / 60 / 80 / 100 mm

DURAL GmbH

Südring 11

D-56412 Ruppach-Goldhausen

Tel. +49 (0) 2602/9261-0

Fax +49 (0) 2602/9261-50

info@dural.com